




Position	Qty.	Description																																
	1	<p>SQF 3A-10</p>  <p style="text-align: right;">Note! Product picture may differ from actual product</p> <p>Product No.: 95027336</p> <p>The 4" SQF centrifugal pump is for low heads and large flows.</p> <p>Features and benefits:</p> <ul style="list-style-type: none"> -Dry-running protection -High efficiency permanent-magnet motor (PM motor) -Over- and undervoltage protection -Overload protection -Maximum Power Point Tracking (MPPT) -Wide voltage range <p>Liquid: Maximum liquid temperature: 40 °C</p> <p>Technical: Approvals on motor nameplate: CE,CTICK,TR_MARK</p> <p>Materials:</p> <table style="width: 100%;"> <tr> <td>Pump:</td> <td>Stainless steel DIN W.-Nr. 1.4301 AISI 304</td> </tr> <tr> <td>Impeller:</td> <td>Stainless steel DIN W.-Nr. 1.4301 AISI 304</td> </tr> </table> <p>Installation:</p> <table style="width: 100%;"> <tr> <td>Maximum ambient pressure:</td> <td>15 bar</td> </tr> <tr> <td>Pump outlet:</td> <td>Rp 1,25</td> </tr> <tr> <td>Minimum borehole diameter:</td> <td>102 mm</td> </tr> </table> <p>Electrical data:</p> <table style="width: 100%;"> <tr> <td>Motor type:</td> <td>MSF3</td> </tr> <tr> <td>Power input - P1:</td> <td>1.4 kW</td> </tr> <tr> <td>Rated voltage ac:</td> <td>1 x 90-240 V</td> </tr> <tr> <td>Rated voltage dc:</td> <td>30-300 V</td> </tr> <tr> <td>Start. method:</td> <td>direct-on-line</td> </tr> <tr> <td>Rated current:</td> <td>8.4 A</td> </tr> <tr> <td>Power factor:</td> <td>1,0</td> </tr> <tr> <td>Rated speed:</td> <td>500-3600 rpm</td> </tr> <tr> <td>Enclosure class (IEC 34-5)::</td> <td>IP68</td> </tr> <tr> <td>Insulation class (IEC 85):</td> <td>F</td> </tr> <tr> <td>Length of cable:</td> <td>2 m</td> </tr> </table>	Pump:	Stainless steel DIN W.-Nr. 1.4301 AISI 304	Impeller:	Stainless steel DIN W.-Nr. 1.4301 AISI 304	Maximum ambient pressure:	15 bar	Pump outlet:	Rp 1,25	Minimum borehole diameter:	102 mm	Motor type:	MSF3	Power input - P1:	1.4 kW	Rated voltage ac:	1 x 90-240 V	Rated voltage dc:	30-300 V	Start. method:	direct-on-line	Rated current:	8.4 A	Power factor:	1,0	Rated speed:	500-3600 rpm	Enclosure class (IEC 34-5)::	IP68	Insulation class (IEC 85):	F	Length of cable:	2 m
Pump:	Stainless steel DIN W.-Nr. 1.4301 AISI 304																																	
Impeller:	Stainless steel DIN W.-Nr. 1.4301 AISI 304																																	
Maximum ambient pressure:	15 bar																																	
Pump outlet:	Rp 1,25																																	
Minimum borehole diameter:	102 mm																																	
Motor type:	MSF3																																	
Power input - P1:	1.4 kW																																	
Rated voltage ac:	1 x 90-240 V																																	
Rated voltage dc:	30-300 V																																	
Start. method:	direct-on-line																																	
Rated current:	8.4 A																																	
Power factor:	1,0																																	
Rated speed:	500-3600 rpm																																	
Enclosure class (IEC 34-5)::	IP68																																	
Insulation class (IEC 85):	F																																	
Length of cable:	2 m																																	

GRUNDFOS®



Company name:

Created by:

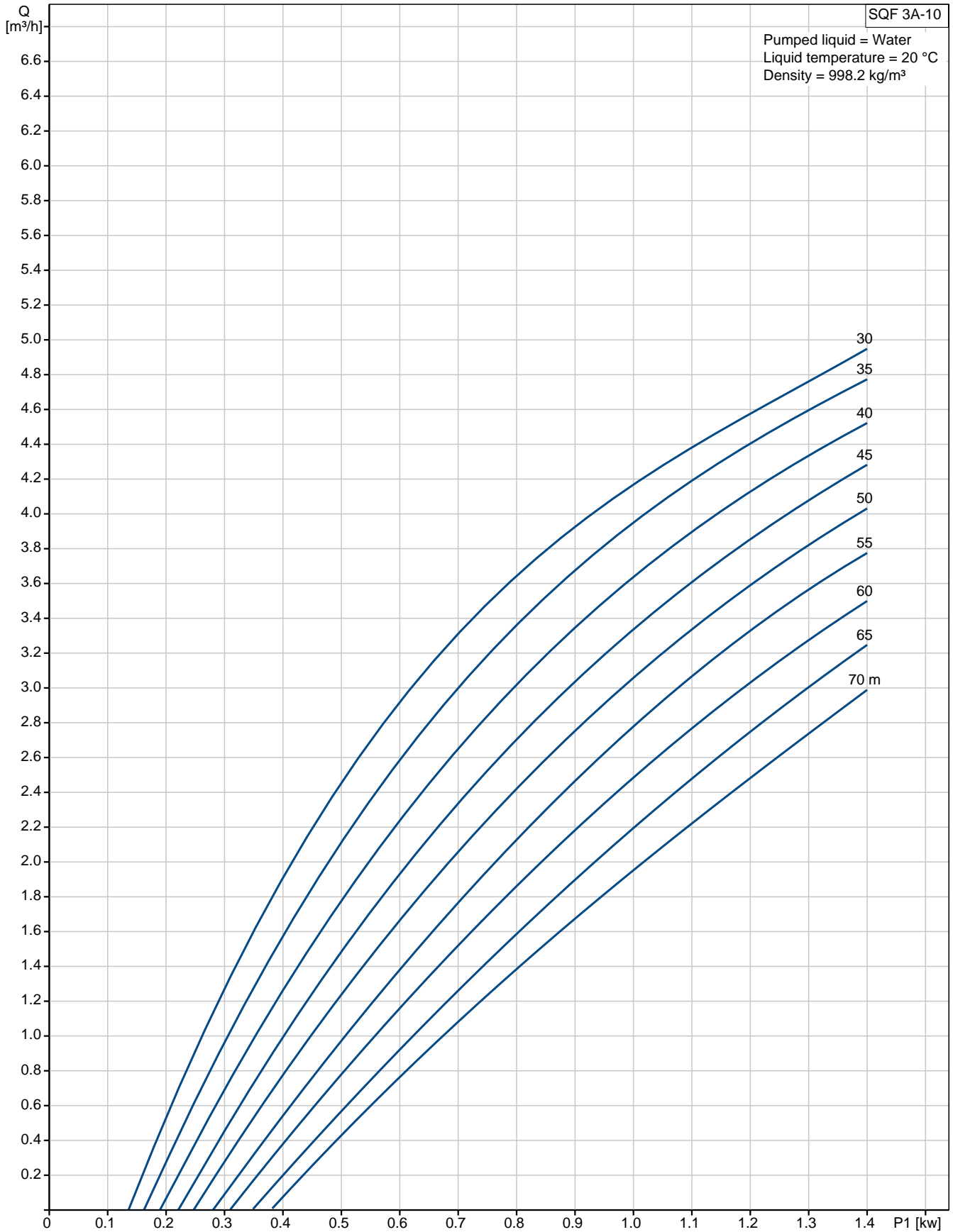
Phone:

Date:

Position	Qty.	Description
		<p>Others: Minimum efficiency index, MEI : 0.70 Net weight: 9.5 kg Gross weight: 11 kg Shipping volume: 0.028 m³</p>



95027336 SQF 3A-10 50 Hz





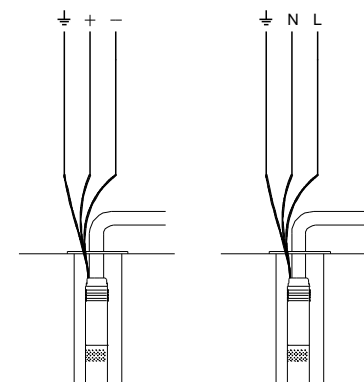
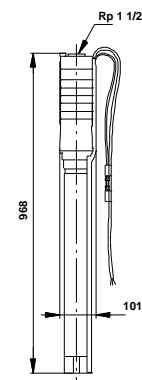
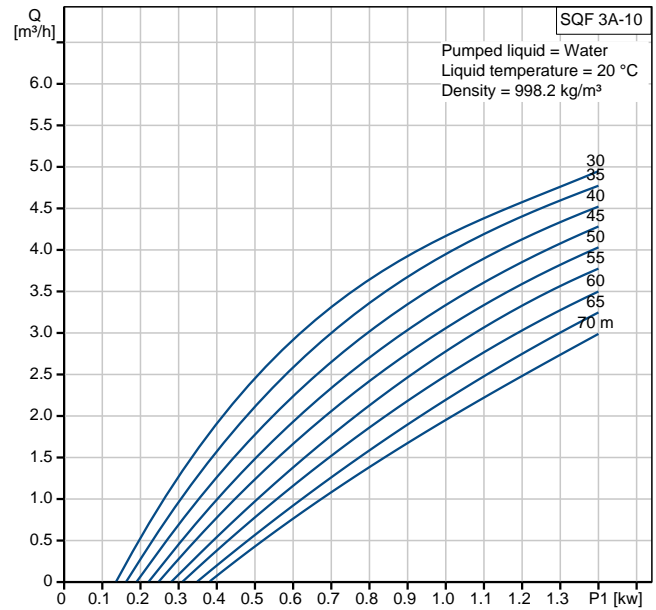
Company name:

Created by:

Phone:

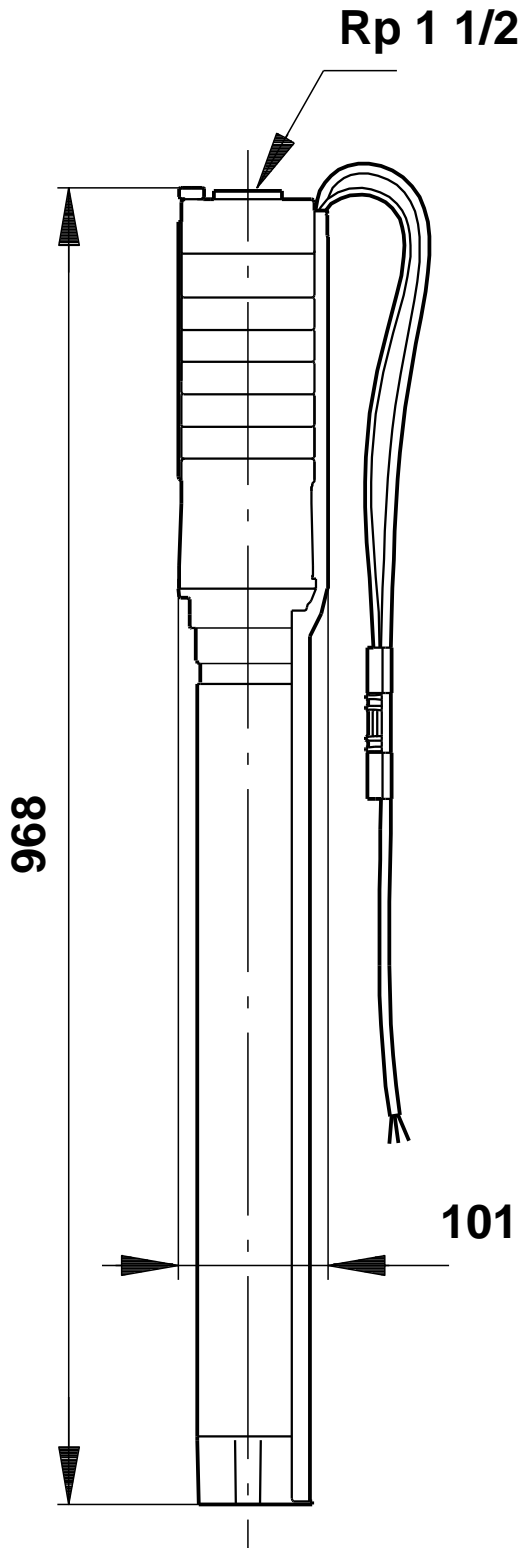
Date:

Description	Value
General information:	
Product name:	SQF 3A-10
Position:	
Product No:	95027336
EAN number:	5700834760099
Price:	On request
Technical:	
Approvals on motor nameplate:	CE,CTICK,TR_MARK
Pump No:	95027384
Stages:	10
Valve:	pump with built-in non-return valve
Materials:	
Pump:	Stainless steel DIN W.-Nr. 1.4301 AISI 304
Impeller:	Stainless steel DIN W.-Nr. 1.4301 AISI 304
Rotor:	DIN W.-Nr. 1.4301 AISI 304
Stator:	DIN W.-Nr. 1.4301 AISI 304
Installation:	
Maximum ambient pressure:	15 bar
Pump outlet:	Rp 1,25
Minimum borehole diameter:	102 mm
Liquid:	
Maximum liquid temperature:	40 °C
Electrical data:	
Motor type:	MSF3
Power input - P1:	1.4 kW
Rated voltage ac:	1 x 90-240 V
Rated voltage dc:	30-300 V
Start. method:	direct-on-line
Rated current:	8.4 A
Power factor:	1,0
Rated speed:	500-3600 rpm
Enclosure class (IEC 34-5)::	IP68
Insulation class (IEC 85):	F
Motor protec:	Y
Thermal protec:	internal
Length of cable:	2 m
Motor No:	96275336
Others:	
Minimum efficiency index, MEI :	0.70
Net weight:	9.5 kg
Gross weight:	11 kg
Shipping volume:	0.028 m ³
Sales region:	Europe/South America/Japan





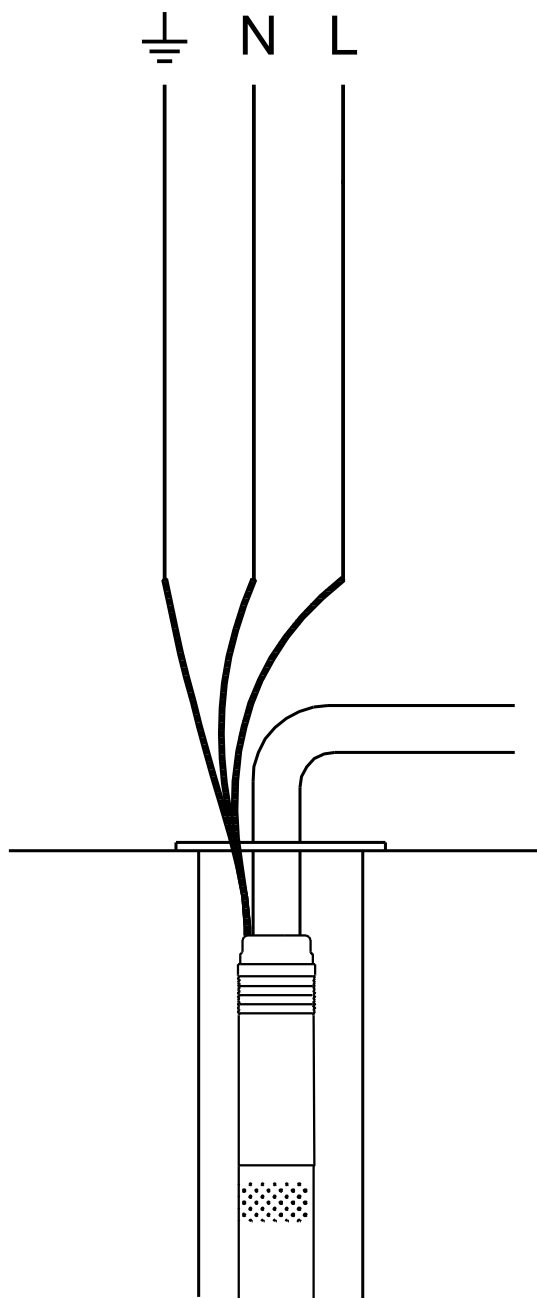
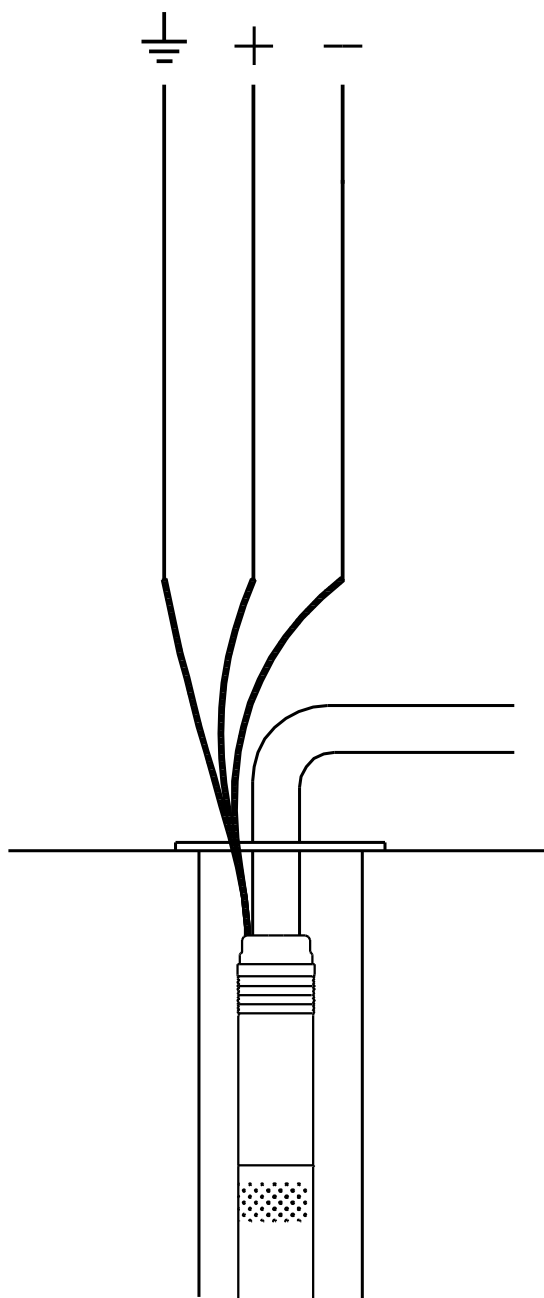
95027336 SQF 3A-10 50 Hz



Note! All units are in [mm] unless others are stated.
Disclaimer: This simplified dimensional drawing does not show all details.



95027336 SQF 3A-10 50 Hz



Note! All units are in [mm] unless others are stated.

GRUNDFOS®



Company name:

Created by:

Phone:

Date:

Order Data:

Product name: SQF 3A-10

Amount: 1

Product No: 95027336

Price: On request

Total: Price on request
